

DUSK TO DAWN (DD01)

DESCRIPTION

Multi-purpose dusk-to-dawn LED luminaire delivers ultra-efficient LED lighting with a low total cost of ownership and a quick return on investment. It features a power door for easy maintenance and 3G vibration rated construction. While its lightweight design, tool-less entry, and easy installation make dusk-to-dawn luminaire is an ideal solution for any contractor.



SPECIFICATION FEATURES

Overview

- Initial Delivered Lumens: 6,350-9,600lm
- CRI: ≥ 70
- CCT: Optimal 4000K and 5000Kt
- Mounting: Mounts directly to wall surface or to pole with mounting arm (accessory sold separately)

- Operating Minimum: -40°C (-40°F)
- Lifespan: Estimated $>50,000$ Hours
- Power Factor: ≥ 0.9
- Total Harmonic Distortion: $\leq 20\%$
- Limited Warranty: 5 Years
- Replaces up to 175W MH

Construction

- Durable, die-cast aluminum housing dark bronze polyester powder-coat finish
- Twist-lock photocell included

Electrical

- Input Voltage: 120-277V
- Operating Temperature Range: -40°C - $+45^{\circ}\text{C}$ (-40°F - $+113^{\circ}\text{F}$)

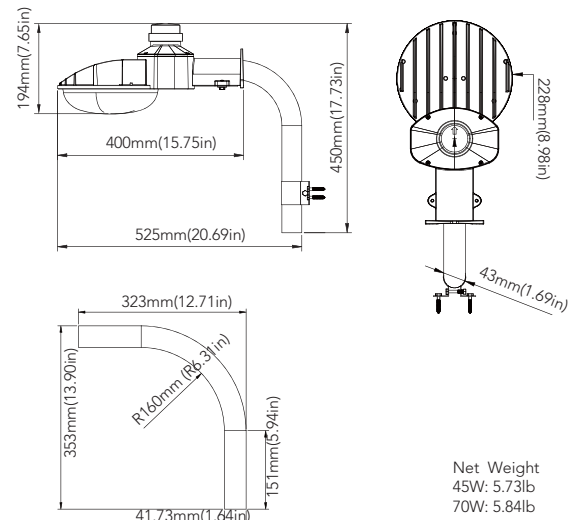
Recommended use

- General Area Illumination
- Entryways & Pathways
- Yards & Loading Docks

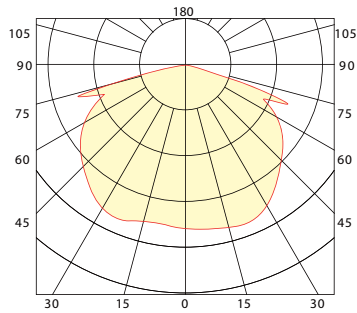
Listing

- cULus Listed
- Suitable for wet locations



DIMENSIONS



PHOTOMETRICS



ACCESSORIES

	Mounting arm kit USE: For pole mounting
	Photocell No. PC-JL-120-277V USE: Photocell is field installed or pre-installed in factory by requesting

PERFORMANCE DATA

SYSTEM WATTS	VOLTAGE	CRI	LUMENS (4000K)	LPW (4000K)	LUMENS (5000K)	LPW (5000K)
45W	120-277VAC	70	6350lm	141 lm/W	6400lm	142 lm/W
70W	120-277VAC	70	9500lm	136 lm/W	9600lm	137 lm/W

ELECTRICAL DATA

Number Of Drivers	Driver Current (mA)	Nominal Power (W)	INPUT VOLTAGE (V)	CURRENT (Amps)
1	1100	45	120	0.38
		45	208	0.22
		45	240	0.19
		45	277	0.16
1	1630	70	120	0.58
		70	208	0.34
		70	240	0.29
		70	277	0.25

ORDERING GUIDE

Example: AO-DD01-45-LV-XXK-A-Y-Y

Fixture Type	Wattage	Voltage	CCT	Series	Finish	Photocell (Option)
AO- <input type="text"/>	<input type="text"/>	<input type="text"/>	<input type="text"/>	<input type="text"/>	<input type="text"/>	<input type="text"/>
DD01 Dusk to Dawn Series	45 45W 70 70W	LV 120-277V	40K 4000K 50K 5000K	A A Series	D Dark Bronze B Black W White SG Silver Gray	P0 120-277V Photocell Blank Without Photocell