



# LED TROFFER(TR01)

## Applications:

Schools, hospitals, office, retails, commercial. New construction or retrofit for T-Bar ceiling installations.

## FEATURES

- Die formed of 0.6mm cold-rolled steel body
- All steel surface are painted after fabrication with high gloss backed white matte powder painted.
- High-diffusion light-milky Acrylic diffuser
- Fully recessed luminaire fits standard T-Grid ceilings.
- All electrical components are UL approved,
- Input Voltage from 120-277V
- Bridgelux / Hongli / Mason SMD2835 LED chips
- LED Driver: UL 120-277V 0-10V LED Driver
- 5 years warranty



2 x 2  
35W



2 x 4  
45W

## PRODUCT DESCRIPTION

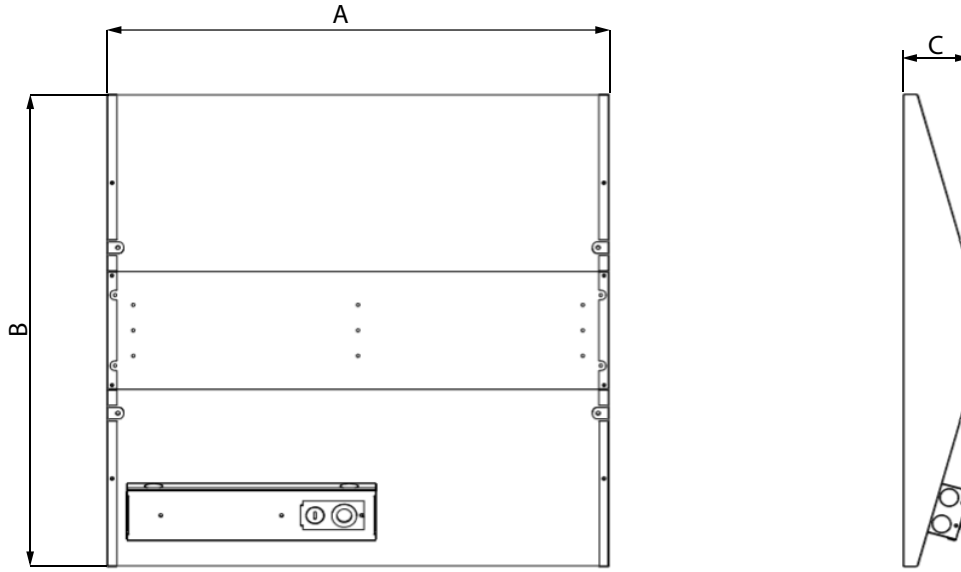
- ETL Listed; with LM79 & LM80
- High luminous efficacy 125 lm/lw
- 50,000 hours warranty 0-10V UL listed LED Driver, Flicking free
- PF>0.90
- Driver efficiency>87%; THD<20%
- CRI>80
- Suitable for dry/damp location
- Designed for office, conference room etc

## ORDERING GUIDE

Example: AO TR01 (XX)W(X)x(X)-(XX)K

Model No	Lumens	Company Code	Product	Watt	Size	C.C.T.
AO-TR01-35W1x4-XXK	4375LM	AO	TR01 Series LED Troffer	35W	1x4	40K: 4000K
AO-TR01-35W2x2-XXK	4375LM			35W	2x2	
AO-TR01-45W2x4-XXK	5625LM			45W	2x4	50K: 5000K

# DIMENSIONS

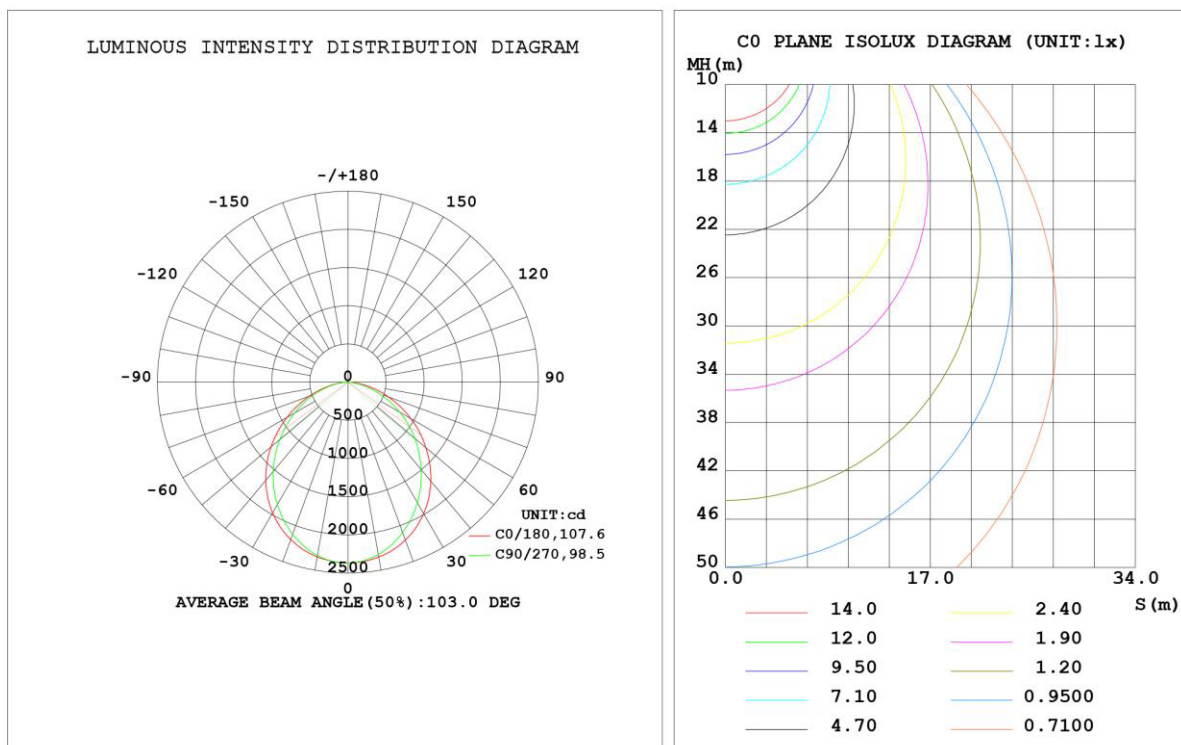


Model No	A	B	C	WATTAGE
AO-TR01-35W1x4-XXK	47.6"	12.0"	3.15"	35W
AO-TR01-35W2x2-XXK	23.8"	23.8"	3.15"	35W
AO-TR01-45W2x4-XXK	47.6"	23.8"	3.15"	45W

## PACKAGE/WEIGHT

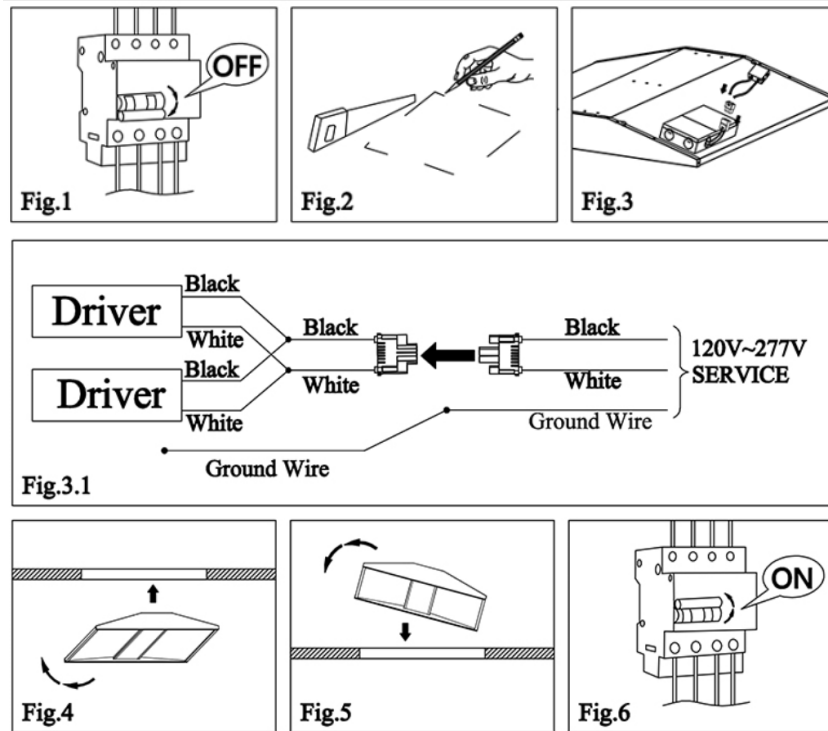
Model No	Size	Master Carton Size (LxWxH)	Qty/Carton	Weight (KG)/(LBS)
AO-TR01-35W1x4-XXK	1x4	48.62"x 25.00"x3.93"	1	5.40KG/11.90lbs
AO-TR01-35W2x2-XXK	2x2	25.00"x25.00"x3.93"	1	5.25KG/11.57lbs
AO-TR01-45W2x4-XXK	2x4	48.62"x 25.00"x3.93"	1	8.50KG/18.74lbs

# PHOTOMETRICS



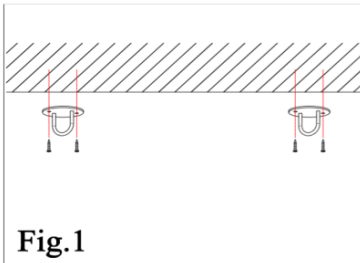
# INSTALLATION GUIDE

## FOR RECESSED

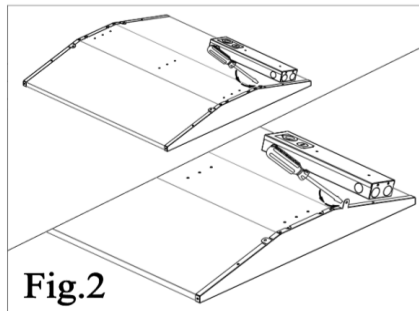


## FOR HANGING

1-Drill the holes in the wooden ceiling; And install the hanging ring into the ceiling.



2-Use a screwdriver to straighten the hanging tabs.



3-Lock the chain/stainless wire into the installed ring or mounting bracket.

4-Install the Hook or stainless coabe into the hanging

5- Turn off the power,make the wire connection to the quick connector.

