



HPS PROSTAR 1000 DE

Applications:

Sole Source Indoor cultivation and supplemental greenhouse lighting.

FEATURES

The HPS ProStar 1000 DE fixture is well established and proven internationally. The ProStar offers the most advanced technology available for electronic ballast and reflectors. Features digital control utilizing the ProStar Smart Controller SC01 to increase and decrease the light output levels remotely. Suitable for high frequency HPS lamps, allowing 10-25% more light output than traditional lamps.



1000W

Lamps Not Included



Power Connection
Universal power cord design, while Wieland RST plug is optional.

Socket
UL approved lamp socket

Reflector
Italian VEGA 95 Aluminum reflector

Ballast
Advanced solid-state electronic ballast

Control Options
Manual dimming standard option. Digital remote control is optional.

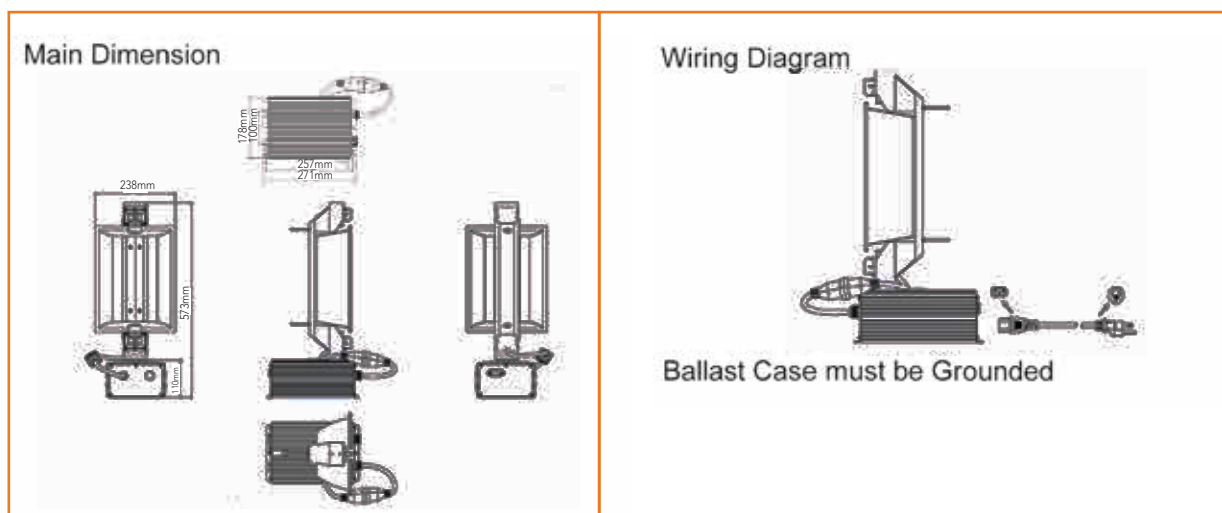


PERFORMANCE DATA

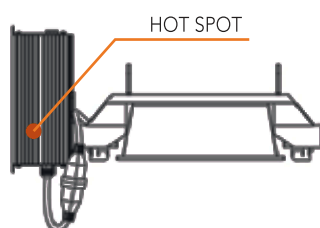
| Product Name | HPS ProStar 1000 DE | | | | |
|---------------------|---|-------|-------|-------|-------|
| Input voltage | 120V | 240V | 277V | 347V | 480V |
| Input wattage | 1085W | 1055W | 1045W | 1040W | 1032W |
| Input current | 9.30A | 4.60A | 3.85A | 3.07A | 2.17A |
| Power factor | 0.99 | | | | |
| Product weight | 6.3kg/13.89lb | | | | |
| Dimensions (LxWxH) | 22.56"x10.86"x10.67" (57.3x27.6x27.1cm) | | | | |
| Temperature case | 75°C / 167°F | | | | |
| Temperature ambient | -20~40°C / -4~104°F | | | | |
| Frequency | 50-60 Hz | | | | |
| Relative humidity | 0.95 | | | | |
| Ignition voltage | 5kV | | | | |
| Remote Control | RJ14 Port Used With ProStar Smart Controller SC01 | | | | |

DIMMING OPTIONS

| Dimming Type | | | | | |
|-------------------------------|---------------------|------|------|-------|-------|
| Manual | 600W | 750W | 825W | 1000W | 1150W |
| ProStar Smart Controller SC01 | 600W-1150W (Remote) | | | | |



T_{case} max=75°C/167°F



DIMMING



Manual Control- Standard Option



ProStar Smart Controller SC01 Available

ORDERING GUIDE

Example: AO-HPS ProStar-1000-V1-P1-PL1-V-TH

| Fixture Type | Wattage | Voltage | Dimming Options | Power Cord / Plug | Ballast Mounting Options | Fixture Mounting Options |
|--|----------------------|--|---|---|--|--|
| AO- <input type="text"/> | <input type="text"/> | <input type="text"/> | <input type="text"/> | <input type="text"/> - X (Note1/2) | <input type="text"/> | <input type="text"/> |
| HPS ProStar Double Ended HPS Ballast & Reflector | 1000 1000W | V1 120V V2 240V V3 277V V4 347V V5 480V | Omit Manual Control P1 RJ14 Port for Remote Control | PL1 NEMA 5-15P PL2 NEMA 5-20P PL3 NEMA L5-15P PL4 NEMA L6-15P PL5 NEMA L7-15P PL6 NEMA L8-20P PL7 NEMA L24-20P PL8 Wieland RST20i3 | V Vertical H Horizontal | TH Truss Hanger AWH Adjustable Wire Hanger CH Chain (Eye bolts only) ARH Adjustable Rope Hanger |

NOTE: 1. Add 3, 5 or 7 for cord length in feet.
2. Omit Plug Code when cord only is needed.