



# HIGH BAY(HB02)

## Applications:

Suitable for commercial, retail and institutional applications including gymnasiums, factories and warehouses.

## FEATURES

- Sealed die-casting profile for indoor and outdoor applications.
- Voltage is 120-277V&347-480V.
- Superior colour rendition index compared to HPS.
- Increase energy saving with bi-level Motion sensor.
- Replacing 250W MH and 400W MH.
- Operating temperature is -40°C to 55°C (-40°F to 131°F).
- Hook mount, pendant mount and surface mount available.
- UL/cUL wet location.



100W&140W&180W



67W&97W



### Housing

Die-cast aluminum housing with heat dissipating fins. Sealed design with silicone strip for use in wet locations.

### Installation accessory

Available for both hook mounting and surface mounting with bracket. Bracket allows to adjust the direction to illuminate any area you need.

### Photometry

High Bay Photometry formed from high efficiency LEDs and scattering diffuser.

### Motion sensor

Optional motion sensor allows for security and energy saving.



# PERFORMANCE DATA

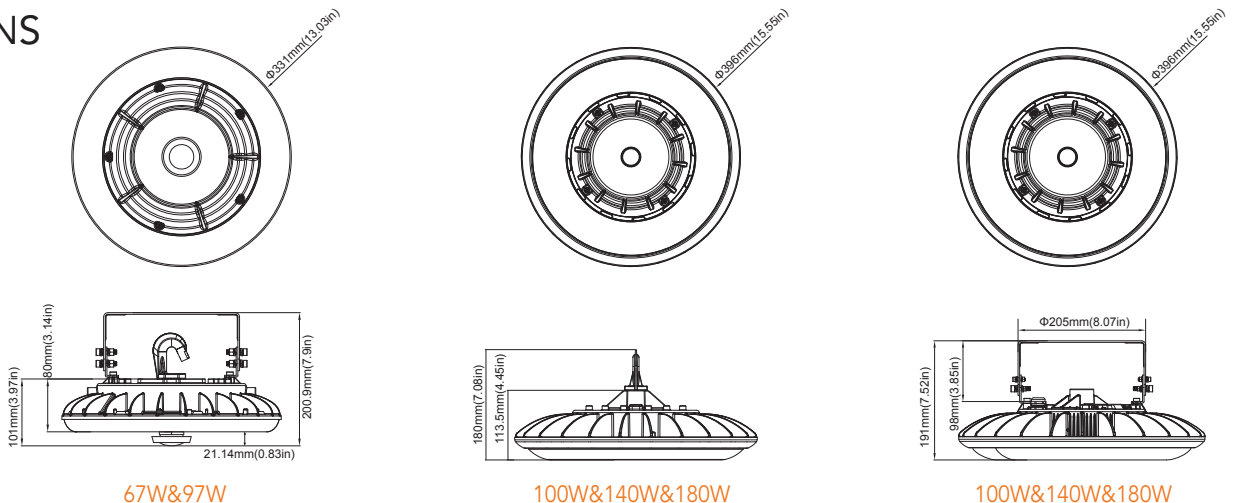
SYSTEM WATTS	PHOTOMETRY	VOLTAGE	4000K(70CRI)		5000K(70CRI)	
			LUMENS	LPW	LUMENS	LPW
67W	High Bay	120-277VAC	9300lm	139lm/W	9300lm	139lm/W
97W	High Bay	120-277VAC	13200lm	136lm/W	13200lm	136lm/W
100W	High Bay	120-277VAC	14000lm	140lm/W	14000lm	140lm/W
140W	High Bay	120-277VAC/347-480V	20500lm	146lm/W	20500lm	146lm/W
180W	High Bay	120-277VAC/347-480V	25000lm	139lm/W	25000lm	139lm/W

# ELECTRICAL DATA

Number Of Drivers	Driver Current (mA)	Nominal Power (W)	INPUT VOLTAGE (V)	CURRENT (Amps)
1	1750	67	120	0.56
		67	208	0.32
		67	240	0.28
		67	277	0.24
1	2500	97	120	0.81
		97	208	0.47
		97	240	0.40
		97	277	0.35
		97	347	0.28
		97	480	0.20
1	2600	100	120	0.83
		100	208	0.48
		100	240	0.42
		100	277	0.36
2	3500	140	120	1.17
		140	208	0.67
		140	240	0.58
		140	277	0.51
	3700	140	347	0.40
		140	480	0.29
2	4540	180	120	1.50
		180	208	0.87
		180	240	0.75
		180	277	0.65
		180	347	0.52
		180	480	0.38

# DIMENSIONS

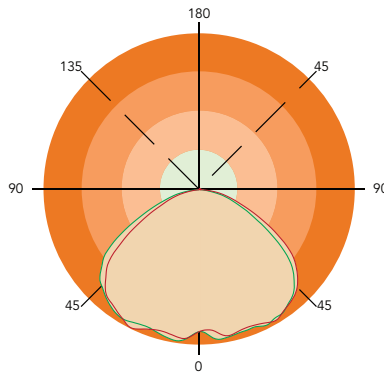
unit: inch/mm



Weight:  
100W: 8.3lbs  
180W: 9.5lbs

# PHOTOMETRICS

General



## ORDERING GUIDE Example: AO-HB02-67-LV-XXK-Y-Y-Y

Fixture Type	Wattage	Voltage	CCT	Finish	Sensor (Option)	Internal Code
AO- <input type="text"/>	<input type="text"/>	<input type="text"/>	<input type="text"/>	<input type="text"/>	<input type="text"/>	<input type="text"/>
<b>HB02</b> High Bay Series	<b>67</b> 67W <b>97</b> 97W <b>100</b> 100W <b>140</b> 140W <b>180</b> 180W	<b>LV</b> 120-277V <b>HV</b> 347-480V	<b>40K</b> 4000K <b>50K</b> 5000K	<b>D</b> Dark Bronze <b>B</b> Black <b>W</b> White	<b>M</b> With Sensor <b>Blank</b> Without Sensor	<b>Blank</b> <b>Alphanumeric</b>

Note: 67W and 97W are limited to 120-277V input only.



**Alpha Omega Lighting**  
[www.alphaomegalighting.com](http://www.alphaomegalighting.com)

347 N. Church Street • Ripley, WV 25271  
 Phone: 304-786-4055 • Email: [info@alphaomegalighting.com](mailto:info@alphaomegalighting.com)

Specifications are subject to change without notice.  
 Updated 9-04-2020