



# LED HARSH ENVIRONMENT ROUND LIGHT (HER01)

(NON-HAZARDOUS)

## Applications:

Suitable for marine, off-shore drilling, oil and gas, petrochemical, power generation, refineries and metals industries and all other harsh environment applications.

## FEATURES

### Construction:

- Corrosive resistant die-cast aluminum housing suitable for harsh environments
- Compact design and light weight for ease of installation without restrictions on space
- Precision machining and silicone gasket materials makes this light suitable for harsh environments, rated at IP66

### Optics:

- Glass diffuser is standard, polycarbonate is optional
- Superior color rendition index compared to HPS
- Lumen package from 3,090 to 11,333 lumens
- Replacing 50W to 250W HID
- Offering 115° beam angle with superior light uniformity

### Electrical:

- Input power ranging from 22W to 90W
- Operating voltage is 100-277VAC/277- 480VAC optional
- Power Factor >93%

### Ambient Temperature:

- Operating temperature is -20°C to 40°C (-4°F to 104°F)

### Mounting:

- Pendant, Wall, Ceiling, Stanchion, and Trunnion mounting optional

### Finish:

- Electrostatic powder coat gray paint is standard, other colors are optional

### Certifications:

- UL Listed - UL 1598,
- Canada: CSA C22. 2 No. 250
- Standard 5-Year Limited Warranty



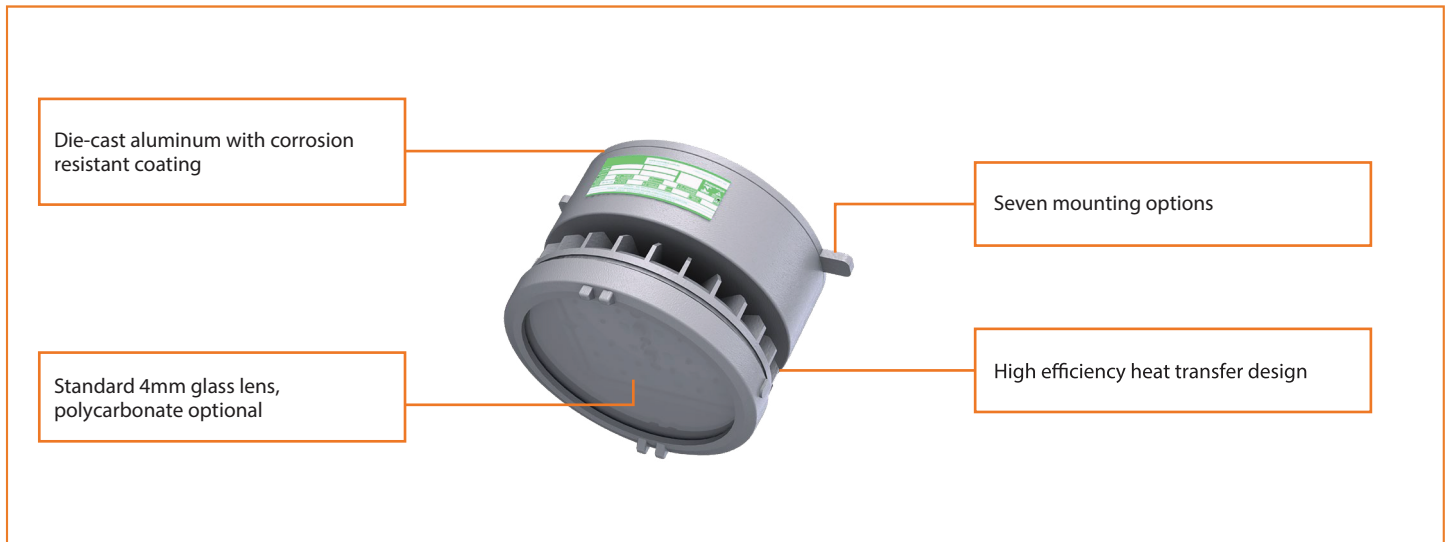
Body 1  
22W/29W/41W



Body 2  
58W/76W/90W

Actual performance may differ as a result of end-user environment and application. All values are design or calculated values measured in laboratory conditions. Specifications subject to change without notice.





## SPECIFICATIONS

Model	AO-HER01					
Wattage	22W	29W	41W	58W	76W	90W
Input Voltage	100-277VAC / 480V Optional					
Frequency	50/60Hz					
Power Factor (at full load)	>0.98 @ 115VAC, >0.95@230VAC >0.93@277VAC					
Conditions of Use	Altitude: 1500m / Temperature+40°C / Ambient Temperature : -20°C ~ +55°C / Relative Humidity 100%					
Driver Protection	Overcurrent, Short Circuit, Overheating					
Ingress Rating	IP66					
Impact Rating	IK08					
Surge Protection	10Ka					
Color Rendering Index	>80					
ColorTemperature (CCT)	5000K					
Beam Angle	115°					
Light Depreciation Factor	10% @ 60,000h @ 1,0A e Tj=65°C					
Estimated Service Life	100,000 Hrs (L70 )					
Luminous Flux	3090 lm	4021 lm	5221 lm	8042 lm	9455 lm	11332 lm
Efficacy	140 lm/w	138 lm/w	127 lm/w	138 lm/w	126 lm/w	126 lm/w
Body Material	Aluminum					
Lens Material	Standard 4mm glass / 4mm Polycarbonate optional					
Threaded Entry	3/4" NPT, M25 optional					

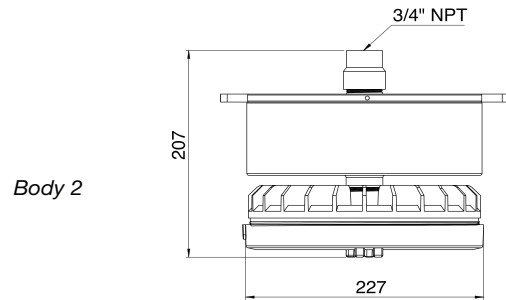
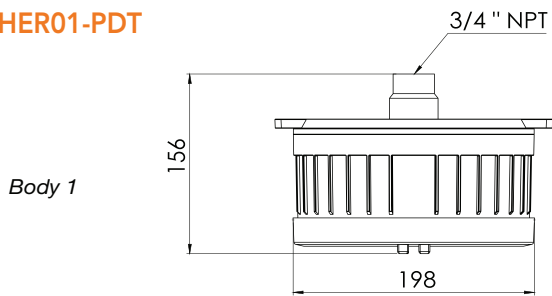
# DIMENSIONS / WEIGHTS

Model	HER01-PDT	HER01-A30	HER01-A90	HER01-PLF	HER01-SP3	HER01-SP9	HER01-ALC
Size - Body 1	198x156mm	363x231mm	342x214mm	228x116mm	350x205mm	340x192mm	236x218mm
Size - Body 2	227x207mm	401x284mm	355x266mm	274x169mm	388x259mm	352x243mm	320x278mm
Weight - Body 1	2.8Kg	3.5Kg	3.5Kg	2.8Kg	3.8Kg	3.8Kg	3.1Kg
Weight - Body 2	4.9Kg	5.6Kg	5.6Kg	4.9Kg	5.9Kg	5.9Kg	5.2Kg
Installation	Fixed Pendant	Wall 30°	Wall 90°	Ceiling	Stanchion 30°	Stanchion 90°	Trunnion

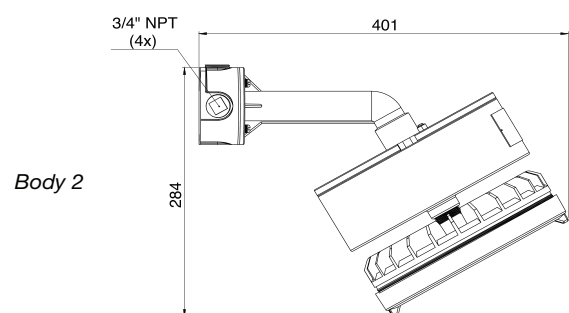
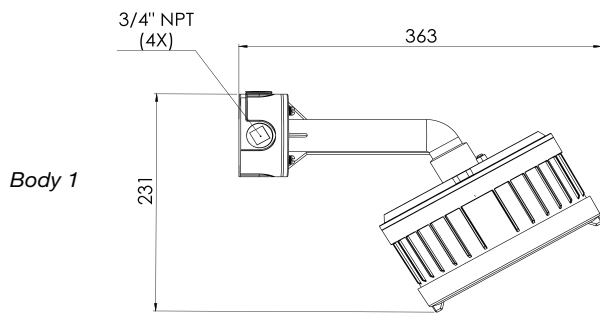
Model	AO-HER01					
Wattage	22W	29W	41W	58W	76W	90W
Replacement Wattage	HID 50W	HID 70W	HID 100W	HID 150W	HID 200W	HID 250W

## DIMENSIONS

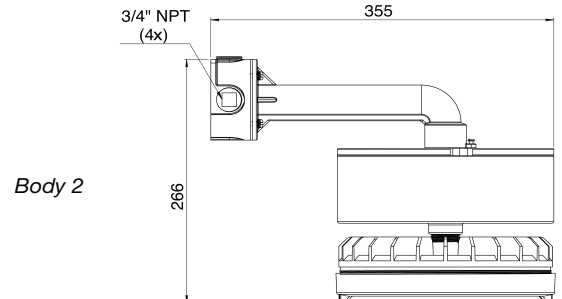
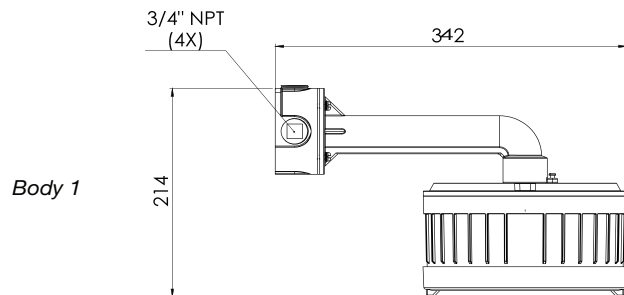
### HER01-PDT



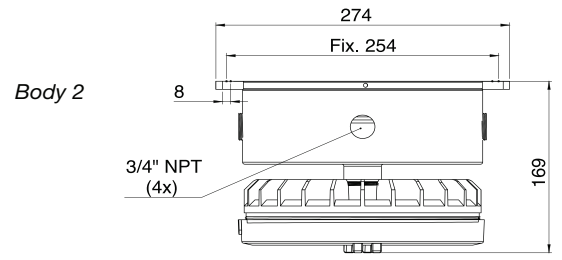
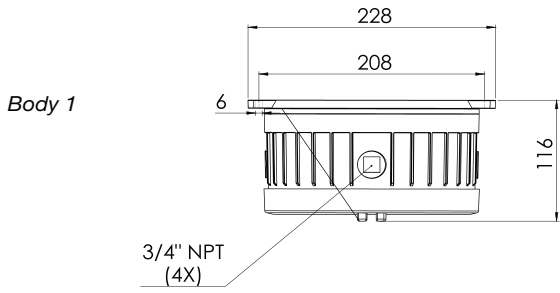
### HER01-A30



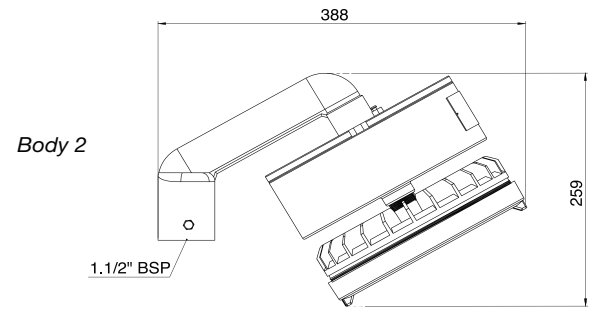
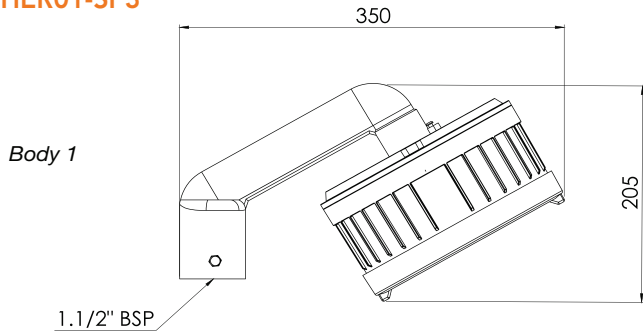
### HER01-A90



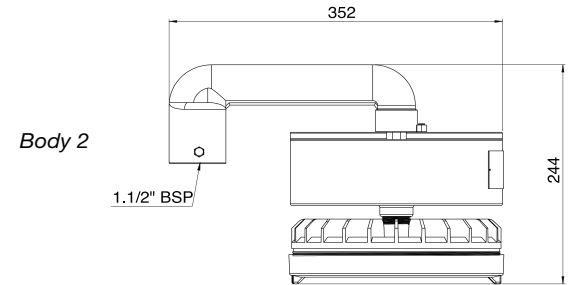
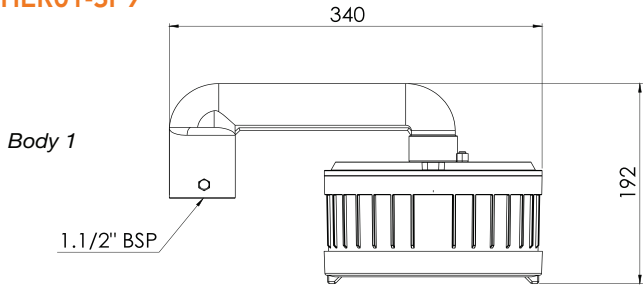
### HER01-PLF



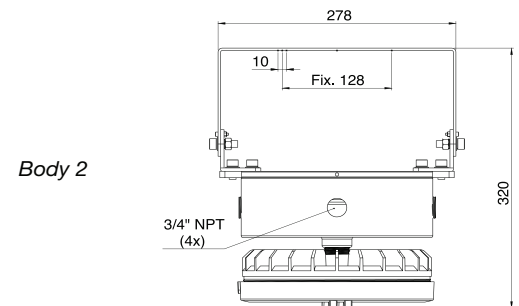
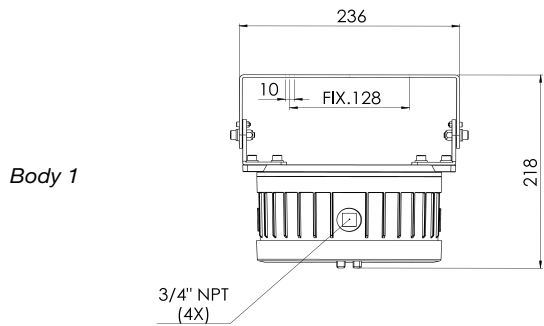
### HER01-SP3



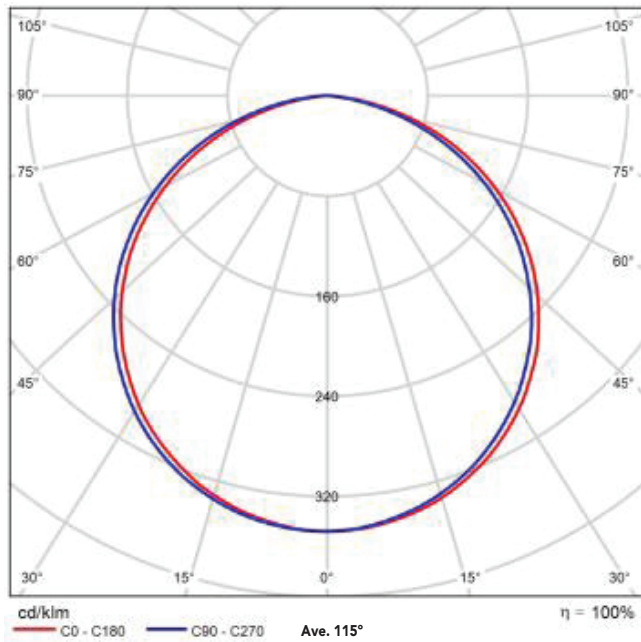
### HER01-SP9



### HER01-ALC



# PHOTOMETRICS



## ORDERING GUIDE Example: AO-HER01-22-LV-50-PDT-DP

Fixture Type	Wattage	Voltage	CCT	Mounting Options	Accessories
AO- <input style="width: 40px; height: 15px;" type="text"/>	<input style="width: 40px; height: 15px;" type="text"/>	<input style="width: 40px; height: 15px;" type="text"/>	<input style="width: 40px; height: 15px;" type="text"/>	<input style="width: 40px; height: 15px;" type="text"/>	<input style="width: 40px; height: 15px;" type="text"/>
<b>HER01</b> Harsh Environment Round Light Series	<b>22</b> 22W <b>29</b> 29W <b>41</b> 41W <b>58</b> 58W <b>76</b> 76W <b>90</b> 90W	<b>LV</b> 110-277VAC <b>HV</b> 277-480VAC	<b>50</b> 5000K	<b>PDT</b> Pendant <b>A30</b> Angle 30° <b>A90</b> Angle 90° <b>PLF</b> Surface <b>SP3</b> Stanchion 30° <b>SP9</b> Stanchion 90° <b>ALC</b> Trunnion	<b>DP</b> Polycarbonate Diffuser <b>TA</b> Anchor Safety Eye Terminal <b>CR'</b> Custom Paint Color <b>PC34</b> 3/4" Cable Gland <b>M25</b> M25 Cable Gland

**Note:** 1. Add color paint code to order number.



**Alpha Omega Lighting**  
www.alphaomegalighting.com

347 N. Church Street • Ripley, WV 25271  
Phone: 304-786-4055 • Email: info@alphaomegalighting.com

Specifications are subject to change without notice.  
Updated 10-19-2023