



LED WALL MOUNT (WM02)

Applications:

Suitable for residential and commercial settings including walkways, perimeter lighting, traffic ingress/egress, and all other exterior applications.

FEATURES

Construction:

- Rugged die-cast aluminum housing
- Excellent thermal management design ensures long lifespan
- High impact, weather resistant housing and lens

Optics:

- Selectable Lumen Packages from 1,300 to 2,660 Lumens
- Light engines are available in selectable CCT 3000K/4000K/5000K configurations
- Optional frosted or clear lens, the frosted lens provides a soft and natural light, reducing glare and protecting the eyes, while the clear lens allows more light to pass through, offering clearer illumination effects

Electrical:

- Universal 120-277 VAC input voltage
- Both drivers have a power factor >90%, THD <20%
- Operating Temperature Range: -20°C to 45°C (-4°F - + 113°F)

Controls:

- Integral switching Photocell included
- Standard Emergency Battery optional

Lifespan:

- Estimated 50,000-hour LED lifespan based on IES LM-80 results and TM-21 calculations

Warranty:

- Five year limited warranty

Certifications:

- UL wet location listed



10W & 20W





CCT Selectable

This fixture has the function of adjusting the color temperature in the field.

CCT selectable: 3000K, 4000K, 5000K



Switchable Photocell

Enable or disable the photocell with on/off switch.



Emergency Battery Backup

All standard 120-277V models are available with an integral battery backup for standby lighting in the event of power loss.

Wattage	Lumens	Operating Temperature	Working Time
4W	>700lm	+18°C to +40°C	190min
		0°C	160min
		-20°C	100min

PERFORMANCE DATA

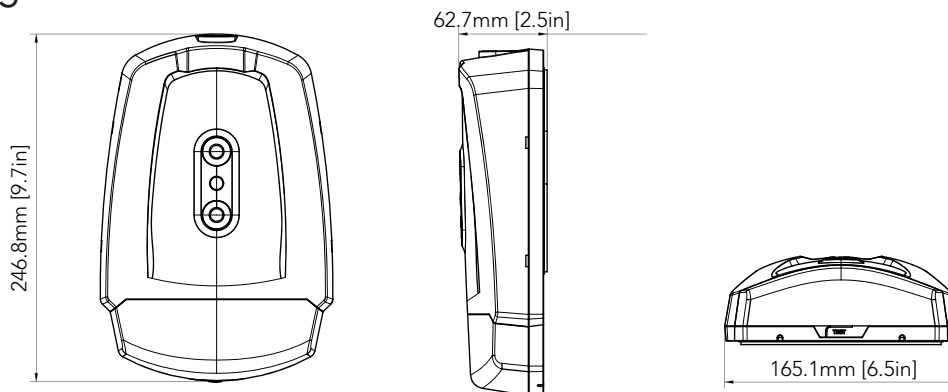
SYSTEM WATTS	VOLTAGE	CRI	LUMENS (3000K)	LPW (3000K)	LUMENS (4000K)	LPW (4000K)	LUMENS (5000K)	LPW (5000K)
10W	120-277VAC	80	1300lm	130lm/W	1400lm	140lm/W	1350lm	135lm/W
20W	120-277VAC	80	2550lm	128lm/W	2660lm	133lm/W	2600lm	130lm/W

ELECTRICAL DATA

Number of Drivers	Driver Current (mA)	Nominal Power (W)	INPUT VOLTAGE (V)	CURRENT (Amps)
1	310	10	120	0.08
		10	208	0.05
		10	240	0.04
		10	277	0.04
1	620	20	120	0.17
		20	208	0.10
		20	240	0.08
		20	277	0.07

DIMENSIONS

unit: mm/inch



ORDERING GUIDE

Example: AO-WM02-10-LV-DDK-D-P-B-F

Fixture Type	Wattage	Voltage	CCT	Finish	Photocell	Emergency Battery (Option)	Lens	Internal Code
AO- <input type="text"/>	<input type="text"/>	<input type="text"/>	<input type="text"/>	<input type="text"/>	<input type="text"/>	<input type="text"/>	<input type="text"/>	<input type="text"/>
WM02 Wall Mount Series	10 10W 20 20W	LV 120-277V	DDK Adjustable color temperature	D Dark Bronze B Black W White	P 120-277V Photocell	B Emergency Battery	F Frosted Lens C Clear Lens	Blank Alphanumeric

Actual performance may differ as a result of end-user environment and application. All values are design or calculated values measured in laboratory conditions. Specifications subject to change without notice.



Alpha Omega Lighting
www.alphaomegalighting.com

347 N. Church Street • Ripley, WV 25271
Phone: 304-786-4055 • Email: info@alphaomegalighting.com

Specifications are subject to change without notice.
Updated 01-04-2026