



LED CANOPY (CP03)

Applications:

Suitable for residential, commercial and architectural projects such as canopies, parking garages, caves and other low-bay applications.

FEATURES

Construction:

- Sealed die-casting profile for indoor and outdoor applications
- Casting thermally conducts LED heat to optimize performance and long life
- With corrosion-resistant powder coating that provides protection and architectural appearance

Optics:

- Lumen output from 3500-10400 lumens with efficacy up to 164lm/W
- Selectable CCT 4000K/5000K
- Parking Garage photometrics
- Replaces 100W MH and 175W MH

Electrical:

- Universal 120-277VAC input voltage
- Standard 0-10V dimming
- Selectable wattage: 100%, 80%, 60%, 40%
- Both drivers have a power factor >90%, THD <20%
- Operating temperature is -40°C to 45°C (-40°F to 113°F)

Note: Operating with emergency battery temperature range: 5°C to 45°C (+41°F - + 113°F)

Controls:

- Optional Motion sensor
- Optional Emergency Battery

Lifespan:

- Estimated 50,000-hour LED lifespan based on IES LM-80 results and TM-21 calculations

Warranty:

- Five-year limited warranty

Certifications:

- UL wet location listed

60W



80W



Built-in Emergency Battery (Optional)

8W, 90min



Plug-and-Play Sensor (optional)

Sensor allows for security and energy saving

Screw plug



Install in 3-Seconds



Mounting Bracket

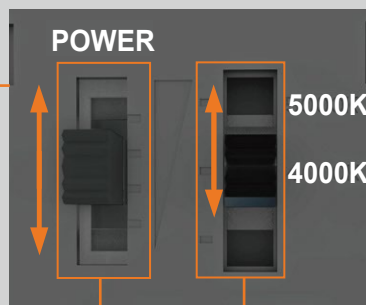
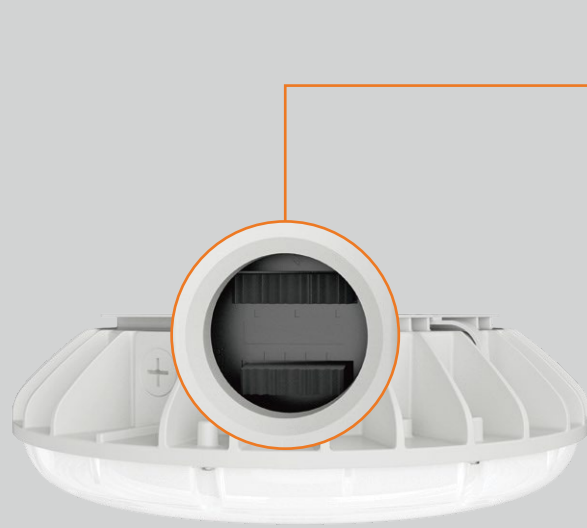
Suitable for J-BOX mounting, and easy for installation, also support pendant mounting, wires coming out from the back for easier wire connections

Housing

One piece die cast housing better waterproofing, suitable for both indoor and outdoor application

Photometry

Optional Parking Garage Photometry or Low Bay Photometry as per applications



CCT AND WATTAGE SELECTABLE

The lumens output and color temperature are field adjustable

WATTAGE SELECT

40% 60% 80% 100%

Each model supports 4 positions wattage regulation : 100%, 80%, 60%, 40%

CCT SELECT

4000K 5000K

Offer three CCT adjustable (4000K, 5000K)

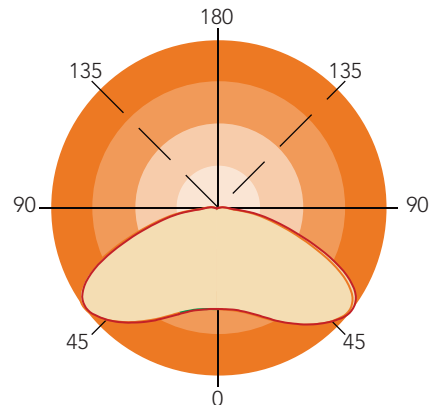
ACCESSORIES (OPTIONAL)

BUILT-IN EMERGENCY BATTERY(OPTIONAL)
8W 90min
Only suit for 60W

PLUG-AND-PLAY PIR SENSOR
PIR sensor: MSANT12VPH01
Bluetooth PIR sensor: MSANT12VPHB01

BUILT-IN EMERGENCY BATTERY(OPTIONAL)
8W 90min
Only suit for 80W

PHOTOMETRICS



PERFORMANCE DATA

CP03 60W					
SETTING	SETTING WATTS	4000K (70CRI)		5000K (70CRI)	
		LUMENS	LPW	LUMENS	LPW
100%	60W	7700lm	128lm/W	7500lm	125lm/W
80%	46W	6500lm	141lm/W	6300lm	137lm/W
60%	34W	5000lm	147lm/W	4900lm	134lm/W
40%	22W	3600lm	164lm/W	3500lm	159lm/W

CP03 80W					
SETTING	SETTING WATTS	4000K (70CRI)		5000K (70CRI)	
		LUMENS	LPW	LUMENS	LPW
100%	80W	10400lm	130lm/W	10000lm	125lm/W
80%	64W	8510lm	133lm/W	8200lm	128lm/W
60%	48W	6580lm	137lm/W	6350lm	132lm/W
40%	32W	4480lm	140lm/W	4320lm	135lm/W

ELECTRICAL DATA

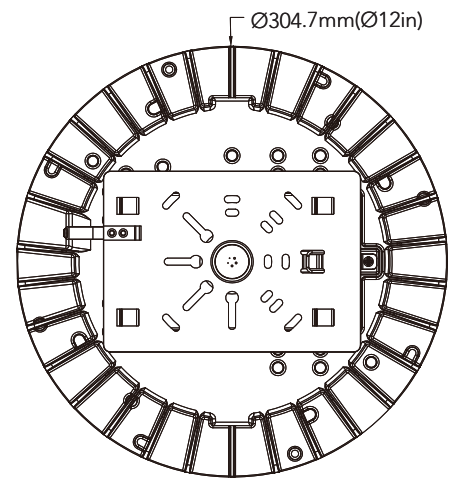
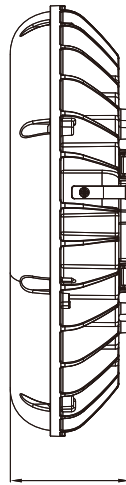
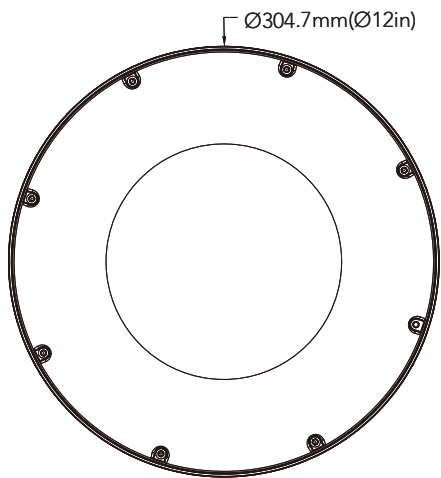
NUMBER OF DRIVERS	DRIVER CURRENT (mA)	NOMINAL POWER (W)	INPUT VOLTAGE (V)	CURRENT (Amps)
1	1050	60	120	0.50
		60	208	0.29
		60	240	0.25
		60	277	0.22
1	2000	80	120	0.67
		80	208	0.38
		80	240	0.33
		80	277	0.29

DIMENSIONS

unit: mm/inch

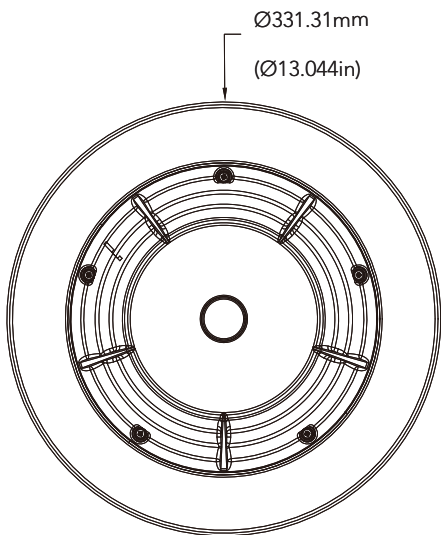
WEIGHT:

60W: 5.73lbs

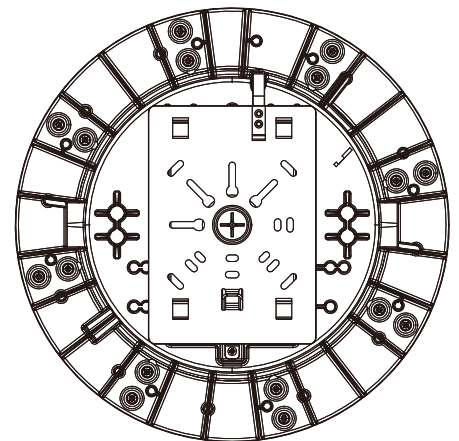


NET WEIGHT:

80W: 6.239lbs



82.76mm(3.26in)



MOUNTING



Surface Mounted With J-Box



Conduit Pendant Mount

ORDERING GUIDE

Example: AO-CP03-60-LV-DDK-D-M-B-PG-AD

Fixture Type	Wattage	Voltage	CCT	Finish	Sensor (Option)	Emergency Battery (Option)	Photometry	CCT and Power Adjustable	Internal Code
AO- <input type="text"/>	<input type="text"/>	<input type="text"/>	<input type="text"/>	<input type="text"/>	<input type="text"/>	<input type="text"/>	<input type="text"/>	<input type="text"/>	<input type="text"/>
CP03 Canopy Series	60 60W 80 80W	LV 120-277V	DDK Adjustable color temperature	D Dark Bronze B Black W White	M Motion Sensor Blank Without Sensor	B With Emergency Battery Blank Without Emergency Battery	PG Parking Garage	AD With Adjustment Dial Blank Without Adjustment Dial	Blank Alphanumeric

Actual performance may differ as a result of end-user environment and application. All values are design or calculated values measured in laboratory conditions. Specifications subject to change without notice.



Alpha Omega Lighting
www.alphaomegalighting.com

347 N. Church Street • Ripley, WV 25271
Phone: 304-786-4055 • Email: info@alphaomegalighting.com

Specifications are subject to change without notice.
Updated 03-31-2026